

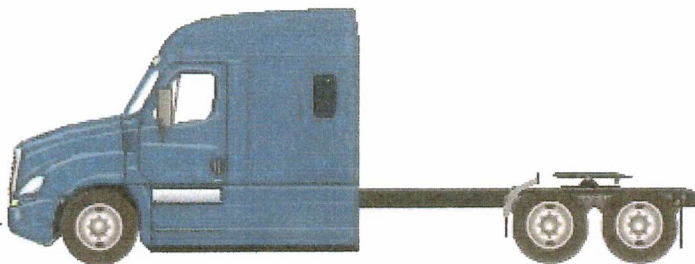
Prepared by:
Kim Donner
WESTERN IDAHO
FREIGHTLINER, STERLING,
WESTERN STAR
1214 FRANKLIN BLVD.
NAMPA, ID 83687
Phone: 208 461-4751

A proposal for

Prepared by
WESTERN IDAHO FREIGHTLINER, STERLING, WESTERN STAR
Kim Donner

Sep 08, 2018

Freightliner CA125SLP



Components shown may not reflect all spec'd options and are not to scale

S P E C I F I C A T I O N P R O P O S A L

Data Code	Description	Weight Front	Weight Rear
Price Level			
PRL-16C	CASCADIA PRL-16C (EFF:04/25/17)		
Data Version			
DRL-019	SPECPRO21 DATA RELEASE VER 019		
Vehicle Configuration			
001-233	CASCADIA 125 INCH SLEEPERCAB	10,081	7,676
004-218	2018 MODEL YEAR SPECIFIED		
002-002	SET BACK AXLE - TRACTOR		
003-001	LH PRIMARY STEERING LOCATION		
General Service			
AA1-001	TRACTOR/TRAILER CONFIGURATION		
AA6-001	DOMICILED, USA 50 STATES (INCLUDING CALIFORNIA AND CARB OPT-IN STATES)		
A85-005	LINEHAUL/LONG HAUL SERVICE		
A84-1GF	GENERAL FREIGHT BUSINESS SEGMENT		
AA4-005	BUILDING MATERIAL COMMODITY		
AA5-002	TERRAIN/DUTY: 100% (ALL) OF THE TIME, IN TRANSIT, IS SPENT ON PAVED ROADS		
AB1-008	MAXIMUM 8% EXPECTED GRADE		
AB5-001	SMOOTH CONCRETE OR ASPHALT PAVEMENT - MOST SEVERE IN-TRANSIT (BETWEEN SITES) ROAD SURFACE		
995-1AD	FREIGHTLINER LEVEL I WARRANTY		
A66-99D	EXPECTED FRONT AXLE(S) LOAD : 12000.0 lbs		
A68-99D	EXPECTED REAR DRIVE AXLE(S) LOAD : 38000.0 lbs		
A67-99D	EXPECTED PUSHER AXLE(S) LOAD : 0.0 lbs		
A63-99D	EXPECTED GROSS VEHICLE WEIGHT CAPACITY : 50000.0 lbs		
A70-99D	EXPECTED GROSS COMBINATION WEIGHT : 85000.0 lbs		



Data Code	Description	Weight Front	Weight Rear
Truck Service			
AF3-2CR	TRACTOR ONLY WITH NO BODY UPFIT		
Tractor Service			
AA2-005	FLATBED TRAILER		
AH6-001	SINGLE (1) TRAILER		
Engine			
101-2YH	DETROIT DD15 14.8L 505 HP @ 1625 RPM, 1900 GOV RPM, 1650 LB/FT @ 975 RPM		
Electronic Parameters			
79A-065	65 MPH ROAD SPEED LIMIT		
79B-006	CRUISE CONTROL SPEED LIMIT SAME AS ROAD SPEED LIMIT, WITH AUTO RESUME AFTER SHIFT		
79D-035	1600 RPM HARD AND SOFT ENGINE LIMIT FOR PROGRESSIVE SHIFTING		
79G-006	5 MINUTES IDLE SHUTDOWN WITH CLUTCH AND SERVICE BRAKE OVERRIDE		
79M-002	PTO MODE BRAKE OVERRIDE - SERVICE BRAKE APPLIED OR PARK BRAKE NOT APPLIED		
79W-001	ONE REMOTE PTO SPEED		
79X-005	REMOTE PTO SPEED 1 SETTING - 900 RPM		
80C-012	ENGINE BRAKE WITH GLOBAL CRUISE CONTROL ENABLED		
80K-027	TEMPERATURE OVERRIDE BELOW 40 DEGREES AND ABOVE 80 DEGREES AMBIENT TEMPERATURE		
Engine Equipment			
99C-017	2016 ONBOARD DIAGNOSTICS/2010 EPA/CARB/FINAL GHG17 CONFIGURATION		
99D-011	2008 CARB EMISSION CERTIFICATION - CLEAN IDLE (INCLUDES 6X4 INCH LABEL ON LOWER FORWARD CORNER OF DRIVER DOOR)		
13E-001	STANDARD OIL PAN		
105-001	ENGINE MOUNTED OIL CHECK AND FILL		
133-004	ONE PIECE VALVE COVER		
014-1B2	LOWER WINDSHIELD AIR INTAKE WITH ENGINE MOUNTED AIR CLEANER		
124-1D7	DR 12V 160 AMP 28-SI QUADRAMOUNT PAD ALTERNATOR WITH REMOTE BATTERY VOLT SENSE		

Data Code	Description	Weight Front	Weight Rear
292-1AU	(4) ALLIANCE MODEL 7T31, GROUP 31, 12 VOLT MAINTENANCE FREE 2920 CCA THREADED STUD BATTERIES		
290-1D3	STEEL BATTERY BOX WITH ENCLOSED TRAY		
282-001	SINGLE BATTERY BOX FRAME MOUNTED LH SIDE UNDER CAB		
291-017	WIRE GROUND RETURN FOR BATTERY CABLES WITH ADDITIONAL FRAME GROUND RETURN		
289-006	PLASTIC BATTERY BOX COVER		
293-058	POSITIVE LOAD DISCONNECT WITH CAB MOUNTED CONTROL SWITCH MOUNTED OUTBOARD DRIVER SEAT	8	
295-029	POSITIVE AND NEGATIVE POSTS FOR JUMPSTART LOCATED ON FRAME NEXT TO STARTER	2	
306-015	PROGRESSIVE LOW VOLTAGE DISCONNECT AT 12.3 VOLTS FOR DESIGNATED CIRCUITS		
180-1AP	DETROIT HEAVY DUTY AUTOMATED MANUAL TRANSMISSION CLUTCH	-25	
107-044	BW MODEL BA-921 19.0 CFM SINGLE CYLINDER AIR COMPRESSOR WITH SAFETY VALVE		
108-002	STANDARD MECHANICAL AIR COMPRESSOR GOVERNOR		
131-013	AIR COMPRESSOR DISCHARGE LINE		
152-041	ELECTRONIC ENGINE INTEGRAL SHUTDOWN PROTECTION SYSTEM		
128-002	JACOBS COMPRESSION BRAKE		
016-1C3	RH OUTBOARD UNDER STEP MOUNTED HORIZONTAL AFTERTREATMENT SYSTEM ASSEMBLY WITH RH HORIZONTAL TAILPIPE	-60	-55
28F-002	ENGINE AFTERTREATMENT DEVICE, AUTOMATIC OVER THE ROAD REGENERATION AND DASH MOUNTED REGENERATION REQUEST SWITCH		
239-001	STANDARD EXHAUST SYSTEM LENGTH		
* 237-052	RH STANDARD HORIZONTAL TAILPIPE		
23U-003	23 GALLON DIESEL EXHAUST FLUID TANK		
30N-003	100 PERCENT DIESEL EXHAUST FLUID FILL		
43Y-001	STANDARD DIESEL EXHAUST FLUID TANK CAP		
273-036	BORG WARNER (KYSOR) REAR AIR ON/OFF ENGINE FAN CLUTCH		
276-001	AUTOMATIC FAN CONTROL WITHOUT DASH SWITCH, NON ENGINE MOUNTED		

Data Code	Description	Weight Front	Weight Rear
110-068	DDC SUPPLIED ENGINE MOUNTED FUEL FILTER/FUEL WATER SEPARATOR WITH WATER-IN-FUEL INDICATOR		
118-001	FULL FLOW OIL FILTER		
266-069	1400 SQUARE INCH RADIATOR		
103-039	ANTIFREEZE TO -34F, OAT (NITRITE AND SILICATE FREE) EXTENDED LIFE COOLANT		
171-007	GATES BLUE STRIPE COOLANT HOSES OR EQUIVALENT		
172-001	CONSTANT TENSION HOSE CLAMPS FOR COOLANT HOSES		
270-019	HDEP VARIABLE SPEED COOLANT PUMP AND RADIATOR DRAIN VALVE		
138-005	PHILLIPS-TEMRO 1500 WATT/115 VOLT BLOCK HEATER	4	
140-022	CHROME ENGINE HEATER RECEPTACLE MOUNTED UNDER LH DOOR		
134-001	ALUMINUM FLYWHEEL HOUSING		
132-998	NO AIR INTAKE WARMER		
155-074	DELCO 12V MOD 3.175-39MT+ OCP STARTER WITH THERMAL PROTECTION AND INTEGRATED MAGNETIC SWITCH		

Transmission

342-191	DT12-OA-1750 HEAVY DUTY 12-SPEED OVERDRIVE AUTOMATED MANUAL TRANSMISSION	-120	158
---------	--	------	-----

Transmission Equipment

343-2BK	DT12 TRANSMISSION PROGRAM: PERFORMANCE ECONOMY AND PERFORMANCE, WITH MANUAL, WITH <u>KICKDOWN</u>		
84D-007	<u>12 FORWARD GEARS SELECTABLE DT12 MANUAL MODE</u>		
85J-003	REVERSE GEAR RANGE LIMITED TO 1ST GEAR ✓		
347-002	ALUMINUM CLUTCH HOUSING		
341-017	MAGNETIC PLUGS, ENGINE DRAIN, TRANSMISSION FILL AND DRAIN, AXLE(S) FILL AND DRAIN		
345-078	HEAVY DUTY ELECTRONIC TRANSMISSION SHIFT CONTROL, COLUMN MOUNTED		
370-015	WATER TO OIL TRANSMISSION COOLER, IN RADIATOR END TANK		
35T-003	SYNTHETIC TRANSMISSION LUBE		

Data Code	Description	Weight Front	Weight Rear
Front Axle and Equipment			
400-1A6	DETROIT DA-F-12.0-3 12,000# FF1 71.5 KPI/3.74 DROP SINGLE FRONT AXLE		
40P-998	NO FRONT AXLE ACCESSORIES		
402-088	WABCO MAXXUS 225 AIR DISC FRONT BRAKES	50	
403-043	2011/2013-FMVSS 121 RSD FRONT BRAKE LINING		
419-004	FRONT DISC BRAKE ROTORS		
409-006	FRONT OIL SEALS		
408-001	VENTED FRONT HUB CAPS WITH WINDOW, CENTER AND SIDE PLUGS - OIL		
416-022	STANDARD SPINDLE NUTS FOR ALL AXLES		
405-030	FRONT AIR DISC BRAKE INTERNAL ADJUSTERS		
536-050	TRW THP-60 POWER STEERING		
539-003	POWER STEERING PUMP		
534-015	2 QUART SEE THROUGH POWER STEERING RESERVOIR		
40T-002	SYNTHETIC 75W-90 FRONT AXLE LUBE		
Front Suspension			
620-1F0	12,000# DUAL TAPERLEAF FRONT SUSPENSION		
619-005	MAINTENANCE FREE RUBBER BUSHINGS - FRONT SUSPENSION		
410-001	FRONT SHOCK ABSORBERS		
Rear Axle and Equipment			
420-1GR	DETROIT DA-RT-40.0-4 HT 40,000# R-SERIES TANDEM REAR AXLE		
421-323	3.23 REAR AXLE RATIO		
424-001	IRON REAR AXLE CARRIER WITH STANDARD AXLE HOUSING		
386-044	RPL25 MERITOR MAIN DRIVELINE	40	40
388-039	RPL20 MERITOR INTERAXLE DRIVELINE		
452-005	DRIVER CONTROLLED TRACTION DIFFERENTIAL - REAR MOST TANDEM/TRIDEM REAR AXLE		20
878-021	(1) INTERAXLE LOCK VALVE AND (1) DRIVER CONTROLLED DIFFERENTIAL LOCK REAR-REAR AXLE VALVE		
87B-009	INDICATOR LIGHT AND BUZZER FOR EACH DRIVER CONTROLLED TRACTION DEVICE SWITCH		

Data Code	Description	Weight Front	Weight Rear
423-088	WABCO MAXXUS 225 AIR DISC REAR BRAKES		-70
433-043	2011/2013-FMVSS 121 RSD REAR BRAKE LININGS		
434-003	STANDARD BRAKE CHAMBER LOCATION		
451-005	REAR DISC BRAKE ROTORS		
440-006	REAR OIL SEALS		
426-094	AIR DISC LONGSTROKE 2-DRIVE AXLES SPRING PARKING CHAMBERS		20
428-030	REAR AIR DISC BRAKE INTERNAL ADJUSTERS		
41T-003	ROADRANGER SYNTHETIC FE 75W-90 REAR AXLE LUBE		

Rear Suspension

622-005	AIRLINER 40,000# REAR SUSPENSION
621-007	AIRLINER HIGH POSITION RIDE HEIGHT
431-001	STANDARD AXLE SEATS IN AXLE CLAMP GROUP
624-016	51 INCH AXLE SPACING
888-048	MANUAL DUMP VALVE FOR AIR SUSPENSION WITH GAUGE
87D-007	INDICATOR LIGHT AND BUZZER FOR EACH REAR SUSPENSION CONTROL SWITCH
910-001	SINGLE AIR REAR SUSPENSION LEVELING VALVE
623-002	TRANSVERSE CONTROL RODS
439-005	REAR SHOCK ABSORBERS - TWO AXLES (TANDEM) (AIR RIDE SUSPENSION)

Brake System

490-107	WABCO 4S/4M ABS WITH HILL START AID AND AUTOMATIC TRACTION CONTROL
871-001	REINFORCED NYLON, FABRIC BRAID AND WIRE BRAID CHASSIS AIR LINES
904-001	FIBER BRAID PARKING BRAKE HOSE
412-001	STANDARD BRAKE SYSTEM VALVES
413-002	STD U.S. FRONT BRAKE VALVE
432-003	RELAY VALVE WITH 5-8 PSI CRACK PRESSURE, NO REAR PROPORTIONING VALVE
480-086	BW AD-9SI BRAKE LINE AIR DRYER WITH HEATER
483-003	BENDIX OIL COALESCING FILTER FOR AIR DRYER

Data Code	Description	Weight Front	Weight Rear
460-007	ALUMINUM AIR BRAKE RESERVOIRS	-15	-15
46A-040	(1) 700 CUBIC INCH ALUMINUM TRANSMISSION AIR TANK, INLET CHECK VALVE	10	15
607-006	CLEAR FRAME RAIL 36 INCHES FROM BACK OF CAB INSIDE/OUTBOARD AND BELOW RH FRAME RAIL		
477-004	PULL CABLES ON ALL AIR RESERVOIR(S)		

Trailer Connections

481-003	12 FOOT STRAIGHT TRAILER AIR HOSE
* 476-063	36 INCH STAINLESS STEEL SLIDE BAR WITH SPRING TYPE AIR HOSE HANGER SHIPPED LOOSE
484-032	COMBINATION DUMMY GLAD HANDS AND LIGHT PLUG HOLDER MOUNTED LH BACK OF CAB WITH GROUND ACCESS
296-010	PRIMARY CONNECTOR/RECEPTACLE WIRED FOR SEPARATE STOP/TURN, ABS CENTER PIN POWERED THROUGH IGNITION
297-027	SAE J560 7-WAY PRIMARY TRAILER CABLE RECEPTACLE MOUNTED LOWER LH BACK OF CAB
308-998	NO SUPPLEMENTAL TRAILER CABLE WIRING
30L-998	NO HIGH CURRENT TRAILER/BODY CABLE
310-002	12 FOOT DETACHABLE STRAIGHT PRIMARY TRAILER ELECTRICAL CABLE WITH SAE J560 CONNECTOR

NO 40" HOSE TENDA

Wheelbase & Frame

545-660	6600MM (260 INCH) WHEELBASE		
546-100	11/32X3-1/2X10-3/16 INCH STEEL FRAME (8.73MMX258.8MM/0.344X10.19 INCH) 120KSI	110	-10
552-024	1350MM (53 INCH) REAR FRAME OVERHANG		
55W-005	FRAME OVERHANG RANGE: 51 INCH TO 60 INCH		
AC8-99D	CALC'D BACK OF CAB TO REAR SUSP C/L (CA) : 120.04 in		
AE8-99D	CALCULATED EFFECTIVE BACK OF CAB TO REAR SUSPENSION C/L (CA) : 120.04 in		
AE4-99D	CALC'D FRAME LENGTH - OVERALL : 343.12		
AM6-99D	CALC'D SPACE AVAILABLE FOR DECKPLATE : 86.02 in		
FSS-0LH	CALCULATED FRAME SPACE LH SIDE : 77.62 in		
FSS-0RH	CALCULATED FRAME SPACE RH SIDE : 70.53 in		

Data Code	Description	Weight Front	Weight Rear
553-002	FLANGED TAPERED END OF FRAME		
559-001	STANDARD WEIGHT ENGINE CROSSMEMBER		
572-001	STANDARD REARMOST CROSSMEMBER		
565-001	STANDARD SUSPENSION CROSSMEMBER		
Chassis Equipment			
674-051	LH BACK OF CAB ACCESS; OMIT STEP, DOES NOT COMPLY WITH FMCSR 399		
592-054	21 INCH (525MM) DECK PLATE FLUSH MOUNTED BETWEEN RAILS <i>42"</i>	3	2
556-1G3	PAINTED AERODYNAMIC BUMPER WITH CHROME OVERLAY AND ENHANCED AERODYNAMIC DEVICES	32	
558-033	REMOVABLE FRONT TOW HOOKS STORED ON THE CHASSIS FRAME	25	
574-007	BUMPER MOUNTING FOR (3) LICENSE PLATES		
585-042	BETTS B-25 PAINTED MUDFLAP BRACKETS		
590-001	BLACK MUDFLAPS		
586-015	FRONT ANTI-SPRAY CAB MOUNTED MUDFLAPS		
551-002	HUCK-SPIN ROUND COLLAR CHASSIS FASTENERS		
583-059	PLASTIC QUARTER FENDERS WITH LOGO		30
* 599-800	PROVISION FOR CUSTOMER INSTALLED THERMO KING TRIPAC AUXILIARY POWER UNIT ON RH RAIL WITH AUXILIARY FUEL SUPPLY AND RETURN PORTS		
	CUST INSTALLED THERMO KING TRIPAC		
69N-001	STANDARD AUXILIARY POWER UNIT PLUMBING WITH SHUTOFF VALVES	20	10
* 600-801	CUSTOMER FURNISHED AND INSTALLED CAB GUARD; CUSTOMER TO RELOCATE BACK OF CAB ITEMS AS REQUIRED		
489-998	NO TIRE PRESSURE CONTROL/SENSOR		
Fifth Wheel			
578-1JG	HOLLAND FW35 ILS 24.0 INCH AIR SLIDE FIFTH WHEEL - 2 INCH SLIDE INCREMENTS		60
577-305	FIFTH WHEEL 305MM (12.0 INCHES) AHEAD OF SUSPENSION CENTERLINE <i>18"</i>		
582-005	202MM (7.94 INCH) FIFTH WHEEL HEIGHT		
570-002	INBOARD ANGLE - FIFTH WHEEL MOUNTING		
890-001	DASH MOUNTED CONTROL VALVE AND PLUMBING FOR FIFTH WHEEL		



Data Code	Description	Weight Front	Weight Rear
579-005	LH FIFTH WHEEL RELEASE		
Fuel Tanks			
206-158	120 GALLON/453 LITER ALUMINUM FUEL TANK - RH	5	5
204-158	120 GALLON/453 LITER ALUMINUM FUEL TANK - LH	10	
218-006	25 INCH DIAMETER FUEL TANK(S)		
215-005	PLAIN ALUMINUM/PAINTED STEEL FUEL/HYDRAULIC TANK(S) WITH PAINTED BANDS		
212-059	FUEL TANK(S) AFT WITH FUEL FILL UNDER SLEEPER		
664-001	PLAIN STEP FINISH		
207-005	FUEL TANK FILLER NECK ANTI-SIPHON INSERT		
205-001	FUEL TANK CAP(S)		
122-1H2	DETROIT FUEL/WATER SEPARATOR WITH BYPASS AND 12 VOLT PREHEATER	10	
216-020	EQUIFLO INBOARD FUEL SYSTEM		
202-016	HIGH TEMPERATURE REINFORCED NYLON FUEL LINE		
Tires			
093-1JP	BRIDGESTONE ECOPIA R283A 295/75R22.5 14 PLY RADIAL FRONT TIRES	2	
094-2D8	BRIDGESTONE ECOPIA M710 295/75R22.5 14 PLY RADIAL REAR TIRES		64
Hubs			
418-058	CONMET PRESET PLUS PREMIUM ALUMINUM FRONT HUBS		
450-058	CONMET PRESET PLUS PREMIUM ALUMINUM REAR HUBS		
Wheels			
502-1DD	ALCOA ULTRA ONE ULTRAX 22.5X8.25 10-HUB PILOT 5.79 INSET ALUMINUM DISC FRONT WHEELS	-60	
505-1DD	ALCOA ULTRA ONE ULTRAX 22.5X8.25 10-HUB PILOT ALUMINUM DISC REAR WHEELS		-240
496-011	FRONT WHEEL MOUNTING NUTS		
497-011	REAR WHEEL MOUNTING NUTS		
Cab Exterior			
829-1AF	125 INCH BBC ALUMINUM CONVENTIONAL CAB		

Data Code	Description	Weight Front	Weight Rear
653-004	RH CAB DOOR(S) WITH 70 DEGREE DOOR STOP		
651-004	LH CAB DOOR(S) WITH 70 DEGREE DOOR STOP		
682-076	72 INCH XT SLEEPER CAB	-100	-100
783-998	NO SIDE EXTENDERS	-40	-40
82A-011	UNDER CAB VANITY PANELS		
782-029	PAINTED FRAME SIDE FAIRINGS TO BACK OF CAB	100	75
779-001	LATCHED FRONT LEFT SIDE FAIRING PANEL FOR BATTERY ACCESS		
78H-998	NO DRIVE WHEEL FAIRINGS - CHASSIS		
704-037	LH AND RH BAGGAGE DOORS		
650-008	AIR CAB MOUNTING		
648-002	NONREMOVABLE BUGSCREEN MOUNTED BEHIND GRILLE		
695-001	LH SLEEPER DOOR	15	
678-003	LH AND RH INTERIOR GRAB HANDLES		
646-010	CHROME GRILLE WITH INTEGRAL SURROUND		
644-001	AERODYNAMIC HOOD		
652-001	FREIGHTLINER NAME PLATES		
727-1AY	SINGLE AIR HORN UNDER LH DECK		
726-001	SINGLE ELECTRIC HORN		
657-1CV	DOOR LOCKS AND IGNITION SWITCH KEYED THE SAME WITH (4) KEYS		
575-001	REAR LICENSE PLATE MOUNT END OF FRAME		
312-075	LED LOW BEAM AND HIGH BEAM HEADLIGHTS		
302-073	VISOR MOUNTED LED MARKER LIGHTS		
315-005	CLEAR FOG LIGHTS RECESSED IN BUMPER	6	
311-001	DAYTIME RUNNING LIGHTS		
294-042	FREIGHTLINER LED FLANGE MOUNTED STOP/TAIL/TURN LIGHTS WITH SEPARATE INCANDESCENT BACKUP LIGHTS		5
300-043	LED SIDE TURN SIGNAL		
318-1AD	SWITCH, INDICATOR LIGHT AND APPROXIMATELY 10 FEET OF WIRE ON CHASSIS LH AT BACK OF CAB FOR CUSTOMER FURNISHED UTILITY LIGHT(S)	-3	
31J-012	UTILITY LIGHT SWITCH IN DASH		
744-1E5	DUAL BRIGHT FINISH HEATED AERODYNAMIC MIRRORS WITH INTEGRAL CONVEX AND LH AND RH REMOTE		

Caldwell, ID 83607
 Phone: 208 454-1800

Prepared by:
 Kim Donner
 WESTERN IDAHO
 FREIGHTLINER, STERLING,
 WESTERN STAR
 1214 FRANKLIN BLVD.
 NAMPA, ID 83687
 Phone: 208 461-4751

Data Code	Description	Weight Front	Weight Rear
797-001	DOOR MOUNTED MIRRORS		
796-001	102 INCH EQUIPMENT WIDTH		
74B-1AR	RH AND LH BRIGHT FINISH HOOD/FENDER MOUNTED MIRRORS		
729-001	STANDARD SIDE/REAR REFLECTORS		
73A-002	REAR REFLECTIVE DEVICE		
776-998	NO SLEEPER VENT	-10	
764-016	EXTERIOR SUN VISOR	28	
661-016	SOLAR TINTED DOOR GLASS LH AND RH WITH TINTED FORWARD SIDE GLASS		
654-011	RH AND LH ELECTRIC POWERED WINDOWS		
767-053	LH AND RH TINTED AND SCREENED SLIDING WINDOWS	4	4
663-025	2-PIECE SOLAR TINTED CURVED ROPED-IN WINDSHIELD		
659-007	8 LITER WINDSHIELD WASHER RESERVOIR, CAB MOUNTED, WITHOUT FLUID LEVEL INDICATOR		

Cab Interior

707-1CW	GRAY VINYL INTERIOR		
706-034	STANDARD LH DOOR TRIM		
708-034	STANDARD RH DOOR TRIM		
772-001	BLACK MATS		
773-018	BLACK MAT IN SLEEPER AREA		
771-001	BLACK MATS IN BAGGAGE COMPARTMENT		
785-014	(2) DASH MOUNTED POWER OUTLETS AND COIN TRAY		
64D-007	APPLIANCE CENTER WITH STORAGE CABINETS		
64E-006	MID-LEVEL REFRIGERATOR CABINET WITH TV SHELF AND STORAGE CABINETS		
691-017	FORWARD ROOF MOUNTED CONSOLE WITH CENTER LOCKING DOOR		
696-998	NO REAR FLOOR STORAGE		
693-019	LH AND RH DOOR STORAGE POCKETS INTEGRATED INTO MOLDED DOOR PANELS		
741-020	STORAGE POCKET(S) MOUNTED INSIDE CABINET DOOR(S)		
826-012	40 INCH WIDE LIFTABLE LOWER BUNK		
666-005	TENT STYLE BUNK RESTRAINT FOR LOWER BUNK		



Data Code	Description	Weight Front	Weight Rear
738-002	DIGITAL FLUSH MOUNTED ALARM CLOCK IN SLEEPER		
680-017	PARCHMENT/SHALE WING DASH		
720-011	5 LB. FIRE EXTINGUISHER MOUNTED IN LH BAGGAGE COMPARTMENT	10	
700-014	HEATER, DEFROSTER AND AIR CONDITIONER WITH CONSTANT OUTLET TEMPERATURE CONTROL		
701-002	HVAC DUCTING WITH MAIN FRESH AIR FILTER		
703-005	MAIN HVAC CONTROLS WITH RECIRCULATION SWITCH		
689-076	AUXILIARY HVAC W/CONSTANT TEMP CONTROL, ESPAR D2 FUEL HEATER AND ESPAR DIGI CONTROLLER WITH TIMER, ENABLE WITH KEY OFF W/O OPT IDLE OR W/PARK BRAKE W/OPT IDLE	15	
170-015	STANDARD HEATER PLUMBING		
130-033	DENSO HEAVY DUTY AIR CONDITIONER COMPRESSOR		
698-001	RADIATOR MOUNTED AIR CONDITIONER CONDENSER		
702-002	BINARY CONTROL, R-134A		
739-033	STANDARD INSULATION		
285-027	SOLID-STATE CIRCUIT PROTECTION AND FUSES WITH SPARE FUSE KIT		
280-007	12V NEGATIVE GROUND ELECTRICAL SYSTEM		
322-030	DOOR AND BUNK ACTIVATED BAGGAGE COMPARTMENT LIGHTING SYSTEM		
324-1AK	STANDARD CAB LIGHTING		
32C-012	MID DOME LAMP SWITCH IN DASH		
325-069	STANDARD SLEEPER LIGHTING		
655-005	LH AND RH ELECTRIC DOOR LOCKS		
740-022	80X39X8 INCH QUILTED SPRING MATTRESS IN SLEEPER	15	15
284-075	(2) 12 VOLT POWER OUTLETS AT BASE OF BUNK		
710-001	CAB PRIVACY CURTAIN	5	
719-017	BUILT-IN REFRIGERATOR	20	20
722-002	TRIANGULAR REFLECTORS WITHOUT FLARES	10	
756-1J6	PREMIUM 2.0 HIGH BACK AIR SUSPENSION DRIVER SEAT WITH 2 AIR LUMBAR, INTEGRATED CUSHION EXTENSION, TILT AND ADJUSTABLE SHOCK		

Data Code	Description	Weight Front	Weight Rear
760-1J4	BASIC 2.0 HIGH BACK NON SUSPENSION PASSENGER SEAT	-50	
757-001	BLACK SUSPENSION COVER FOR AIR DRIVER SEAT	2	
759-007	DUAL DRIVER SEAT ARMRESTS, NO PASSENGER SEAT ARMRESTS	4	
758-039	MORDURA CLOTH DRIVER SEAT		
761-039	MORDURA CLOTH PASSENGER SEAT		
763-1AA	3 POINT ADJUSTABLE D-RING RETRACTOR DRIVER AND FIXED D-RING RETRACTOR PASSENGER SEAT BELTS		
709-006	SLEEPER CURTAIN		
532-002	ADJUSTABLE TILT AND TELESCOPING STEERING COLUMN		
540-044	4-SPOKE 18 INCH (450MM) BLACK STEERING WHEEL WITH SWITCHES		
765-007	DRIVER AND PASSENGER INTERIOR SUN VISORS WITH VANITY MIRRORS		

Instruments & Controls

106-004	ELECTRONIC ACCELERATOR CONTROL WITH KICKDOWN FEATURE		
732-036	PREMIUM WOODGRAIN DRIVER INSTRUMENT PANEL		
870-002	BRIGHT ARGENT FINISH GAUGE BEZELS		
486-001	LOW AIR PRESSURE INDICATOR LIGHT AND AUDIBLE ALARM		
838-001	(1) SINGLE BRAKE APPLICATION AIR GAUGE		
840-002	2 INCH PRIMARY AND SECONDARY AIR PRESSURE GAUGES		
198-003	DASH MOUNTED AIR RESTRICTION INDICATOR WITH GRADUATIONS	2	
149-045	ELECTRONIC CRUISE CONTROL WITH INTELLIGENT POWERTRAIN MANAGEMENT AND CONTROLS ON STEERING WHEEL SPOKES		
156-007	KEY OPERATED IGNITION SWITCH AND INTEGRAL START POSITION; 4 POSITION OFF/RUN/START/ACCESSORY		
811-041	ICU4ME DRIVER MESSAGE CENTER WITH GRAPHICAL DISPLAY, BLACK FACE GAUGES, DIAGNOSTICS AND DATA LINKED		
160-038	HEAVY DUTY ONBOARD DIAGNOSTICS INTERFACE CONNECTOR LOCATED BELOW LH DASH		

Data Code	Description	Weight Front	Weight Rear
844-001	2 INCH ELECTRIC FUEL GAUGE		
845-013	MPG FUEL TRIP GAUGE, TOTAL AND RATE, AND FUEL FILTER RESTRICTION INDICATOR		
148-085	EMISSIONS LIMITED IDLE ADJUST		
866-009	DUAL REAR AXLE TEMPERATURE GAUGES WITH SENSOR SHIELD		
856-001	ELECTRICAL ENGINE COOLANT TEMPERATURE GAUGE		
864-001	2 INCH TRANSMISSION OIL TEMPERATURE GAUGE		
867-004	ELECTRONIC OUTSIDE TEMPERATURE SENSOR DISPLAY IN DRIVER MESSAGE CENTER		
830-017	ENGINE AND TRIP HOUR METERS INTEGRAL WITHIN DRIVER DISPLAY		
49B-004	ENHANCED STABILITY CONTROL		
852-002	ELECTRIC ENGINE OIL PRESSURE GAUGE		
746-1B4	AM/FM/WB WORLD TUNER RADIO WITH CD PLAYER, BLUETOOTH, IPOD INTERFACE, USB AND AUXILIARY INPUTS, J1939	10	
747-001	DASH MOUNTED RADIO		
750-041	STANDARD SPEAKER SYSTEM		
753-046	AM/FM/WB INTEGRATED AERO-ROOF ANTENNA		
748-014	COBRA 29NW LTD CLASSIC FACTORY INSTALLED CB RADIO	5	
749-001	ROOF/OVERHEAD CONSOLE CB RADIO PROVISION		
752-050	INTEGRATED AERO-ROOF CB ANTENNA		
737-001	TELEVISION ANTENNA		
810-027	ELECTRONIC MPH SPEEDOMETER WITH SECONDARY KPH SCALE, WITHOUT ODOMETER		
817-001	STANDARD VEHICLE SPEED SENSOR		
812-001	ELECTRONIC 3000 RPM TACHOMETER		
813-1B4	VT-HU CONNECTIVITY PLATFORM HARDWARE		
8D1-002	2 YEARS DETROIT CONNECT BASE PACKAGE (VIRTUAL TECHNICIAN, DETROIT CONNECT PORTAL ACCESS) FOR VT-HU CONNECTIVITY PLATFORM		
8Z1-998	NO ZONAR SERVICES SELECTED		
162-020	IDLE SHUTDOWN OVERRIDE, DDEC 5/6 AMBIENT AIR TEMPERATURE SENSOR		



SLD

Data Code	Description	Weight Front	Weight Rear
329-010	TWO ON/OFF ROCKER SWITCHES IN THE DASH WITH INDICATOR LIGHTS AND WIRE ROUTED TO CHASSIS AT BACK OF CAB, LABEL OPT		
81Y-005	PRE-TRIP INSPECTION FEATURE FOR EXTERIOR LAMPS ONLY		
264-033	STEERING WHEEL MOUNTED ELECTRIC HORN CONTROL		
482-001	BW TRACTOR PROTECTION VALVE		
883-001	TRAILER HAND CONTROL BRAKE VALVE		
842-001	2 INCH TURBO AIR PRESSURE GAUGE		
836-015	DIGITAL VOLTAGE DISPLAY INTEGRAL WITH DRIVER DISPLAY		
660-008	SINGLE ELECTRIC WINDSHIELD WIPER MOTOR WITH DELAY		
304-030	ROTARY HEADLAMP SWITCH, MARKER LIGHTS/HEADLIGHTS SWITCH WITH PULL OUT FOR OPTIONAL FOG/ROAD LAMPS		
882-021	TWO VALVE PARKING BRAKE SYSTEM WITH DASH VALVE CONTROL AUTONEUTRAL AND WARNING INDICATOR		
299-020	SELF CANCELING TURN SIGNAL SWITCH WITH DIMMER, HEADLAMP FLASH, WASH/WIPE/INTERMITTENT		
298-046	INTEGRAL ELECTRONIC TURN SIGNAL FLASHER WITH 40 AMP (20 AMP PER SIDE) TRAILER LAMP CAPACITY		

Design

065-000 PAINT: ONE SOLID COLOR

Color

980-5J3 CAB COLOR A: L0340EB BRIGHT BLUE MET ELITE BC
 986-020 BLACK, HIGH SOLIDS POLYURETHANE CHASSIS PAINT
 987-995 CHASSIS SIDE FAIRINGS PAINTED SAME AS LOWER CAB SECTION OR FENDER
 98K-998 NO FUEL TANK CABINET PAINT
 964-995 BUMPER PAINTED SAME AS FENDERS/LOWER SECTION OF CAB
 976-995 SUNVISOR PAINTED SAME AS CAB COLOR A

Certification / Compliance

996-001 U.S. FMVSS CERTIFICATION, EXCEPT SALES CABS AND GLIDER KITS



Data Code	Description	Weight Front	Weight Rear
Sales Programs			
RZ1-998	NO ZONAR SERVICE SELECTED		

TOTAL VEHICLE SUMMARY

Weight Summary

	Weight Front	Weight Rear	Total Weight
Factory Weight ⁺	10180 lbs	7689 lbs	17869 lbs
Dealer Installed Options	0 lbs	0 lbs	0 lbs
Total Weight⁺	10180 lbs	7689 lbs	17869 lbs

Extended Warranty

WAI-18W EW4: DD15 HWY. \$0 DEDUCTIBLE 5 YR/500000 MILE. FULL COVERAGE

Dealer Installed Options

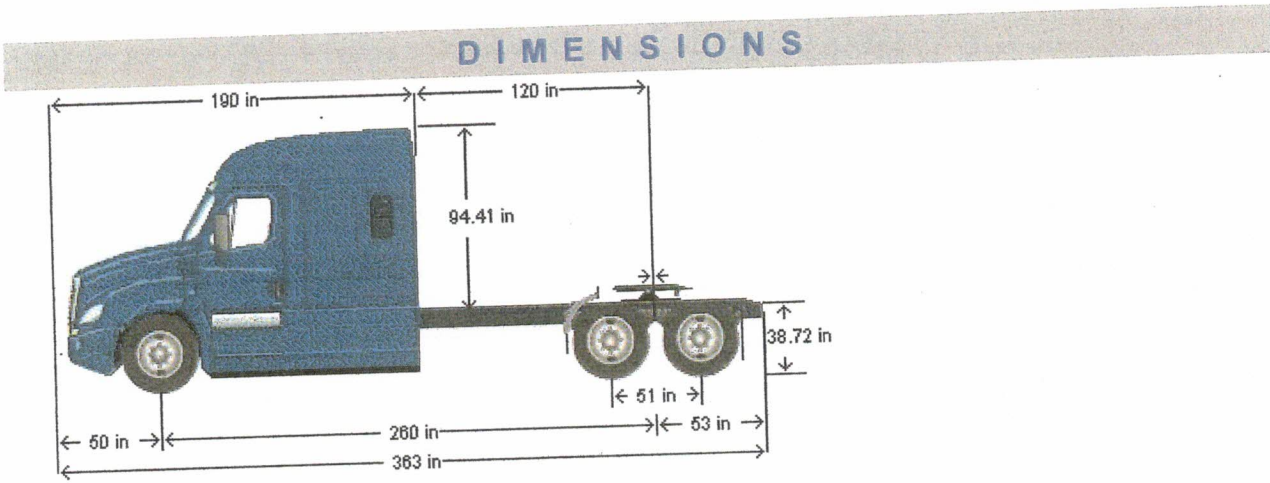
		Weight Front	Weight Rear
1	THERMO KING INSTLD TRI-PAC EVOLUTION W INVERTER, ALT, ARCTIC, HR MTR, DIAMOND PLATE PKG MINUS ESPAR FRAME MNT	0	0
2	DUMP VALVE FOR TRAILER 4-WAY INCLUDED	0	0
Total Dealer Installed Options		0 lbs	0 lbs

(+) Weights shown are estimates only.
 If weight is critical, contact Customer Application Engineering.



Prepared by:
Kim Donner
WESTERN IDAHO
FREIGHTLINER, STERLING,
WESTERN STAR
1214 FRANKLIN BLVD.
NAMPA, ID 83687
Phone: 208 461-4751





VEHICLE SPECIFICATIONS SUMMARY - DIMENSIONS

Model	125 SLEEPER CAB
Wheelbase (545)	6600MM (260 INCH) WHEELBASE
Rear Frame Overhang (552)	1350MM (53 INCH) REAR FRAME OVERHANG
Fifth Wheel (578)	HOLLAND FW35 ILS 24.0 INCH AIR SLIDE FIFTH WHEEL - 2 INCH SLIDE INCREMENTS
Mounting Location (577)	FIFTH WHEEL 305MM (12.0 INCHES) AHEAD OF SUSPENSION CENTERLINE
Maximum Forward Position (in)	12
Maximum Rearward Position (in)	-12
Amount of Slide Travel (in)	24
Slide Increment (in)	2
Desired Slide Position (in)	0.0
Cab Size (829)	125 INCH BBC ALUMINUM CONVENTIONAL CAB
Sleeper (682)	72 INCH XT SLEEPER CAB
Exhaust System (016)	RH OUTBOARD UNDER STEP MOUNTED HORIZONTAL AFTERTREATMENT SYSTEM ASSEMBLY WITH RH HORIZONTAL TAILPIPE

TABLE SUMMARY - DIMENSIONS



Dimensions	Inches
Bumper to Back of Cab (BBC)	189.5
Bumper to Centerline of Front Axle (BA)	49.6
Back of Cab to Centerline of Rear Axle(s) (CA)	120.0
Effective Back of Cab to Centerline of Rear Axle(s) (Effective CA)	120.0
Back of Cab Protrusions (Exhaust/Intake) (CP)	0.0
Back of Cab Protrusions (Side Extenders/Trim Tab) (CP)	0.0
Back of Cab Protrusions (CNG Tank)	0.0
Back of Cab Clearance (CL)	0.0
Back of Cab to End of Frame	173.0
Cab Height (CH)	94.4
Fifth Wheel to Centerline of Rear Axle(s) (FW)	0.0
Wheelbase (WB)	260.0
Frame Overhang (OH)	53.0
Overall Length (OAL)	362.6
Rear Axle Spacing	51.0
Unladen Frame Height at Centerline of Rear Axle	38.7

Performance calculations are estimates only. If performance calculations are critical, please contact Customer Application Engineering.

QUOTATION

CASCADIA 125 INCH SLEEPER CAB

SET BACK AXLE - TRACTOR	12,000# DUAL TAPERLEAF FRONT SUSPENSION
DETROIT DD15 14.8L 505 HP @ 1625 RPM, 1900 GOV RPM, 1650 LB/FT @ 975 RPM	125 INCH BBC ALUMINUM CONVENTIONAL CAB
DT12-OA-1750 HEAVY DUTY 12-SPEED OVERDRIVE AUTOMATED MANUAL TRANSMISSION	72 INCH XT SLEEPER CAB
DETROIT DA-RT-40.0-4 HT 40,000# R-SERIES TANDEM REAR AXLE	6600MM (260 INCH) WHEELBASE
AIRLINER 40,000# REAR SUSPENSION	HOLLAND FW35 ILS 24.0 INCH AIR SLIDE FIFTH WHEEL - 2 INCH SLIDE INCREMENTS
DETROIT DA-F-12.0-3 12,000# FF1 71.5 KPI/3.74 DROP SINGLE FRONT AXLE	11/32X3-1/2X10-3/16 INCH STEEL FRAME (8.73MMX258.8MM/0.344X10.19 INCH) 120KSI
	1350MM (53 INCH) REAR FRAME OVERHANG

			PER UNIT		TOTAL
VEHICLE PRICE	TOTAL # OF UNITS (1)	\$	122,966	\$	122,966
EXTENDED WARRANTY		\$	5,100	\$	5,100
DEALER INSTALLED OPTIONS		\$	10,800	\$	10,800
CUSTOMER PRICE BEFORE TAX		\$	138,866	\$	138,866

TAXES AND FEES

FEDERAL EXCISE TAX (FET)	\$	14,432	\$	14,432
TAXES AND FEES	\$	0	\$	0
OTHER CHARGES	\$	0	\$	0

TRADE-IN

TRADE-IN ALLOWANCE	\$	(0)	\$	(0)	
BALANCE DUE	(LOCAL CURRENCY)	\$	153,298	\$	153,298

COMMENTS:

Projected delivery on ___ / ___ / ___ provided the order is received before ___ / ___ / ___.

APPROVAL:

Please indicate your acceptance of this quotation by signing below:

Customer: X _____ Date: ___ / ___ / ___.

Daimler Truck Financial

Financing that works for you.

See your local dealer for a competitive quote from Daimler Truck Financial, or contact us at Information@dtffoffers.com.

Daimler Truck Financial offers a variety of finance, lease and insurance solutions to fit your business needs. For more information about our products and services, visit our website at www.daimler-truckfinancial.com.

